

# DUAL ACTION WOOD INSTALLATION INSTRUCTIONS

1

## CONTENTS AND TOOLS

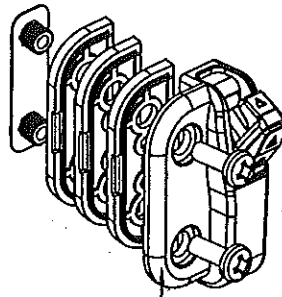
- Contents
1. WOOD (Left or Right)
  2. Screws (4 pairs)
  3. Screw post
  4. Shims(3pcs)

### ⚠ WARNING

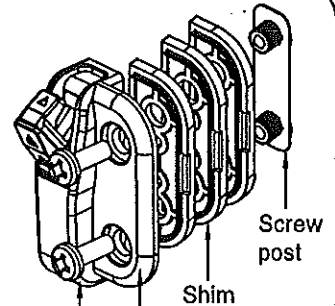
1. Follow manufacturer's instructions for hand or power tools. Always wear safety glasses. Failure to do so may result in injury and/or product damage.
2. Use caution when working at elevated heights and around unit openings. Follow manufacturer's instructions for ladders and/ or scaffolding. Failure to do so may result in injury or death.

### Tools needed

1. Drill
2. 1/4" Drill Bit
3. Tape measure
4. Pencil
5. Phillips head screw driver



WOOD (LEFT)



WOOD (RIGHT)

Screw post

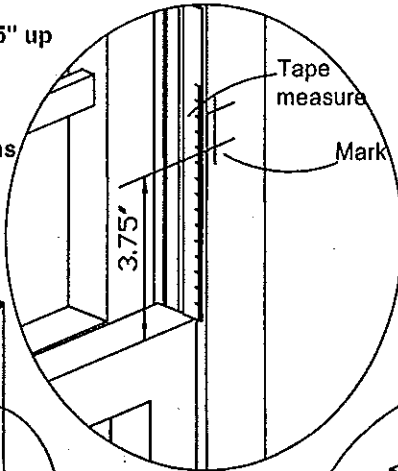
Shim

Screw

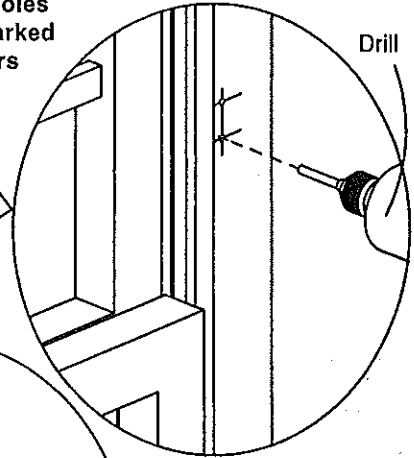
2

## WOOD INSTALLATION INSTRUCTIONS

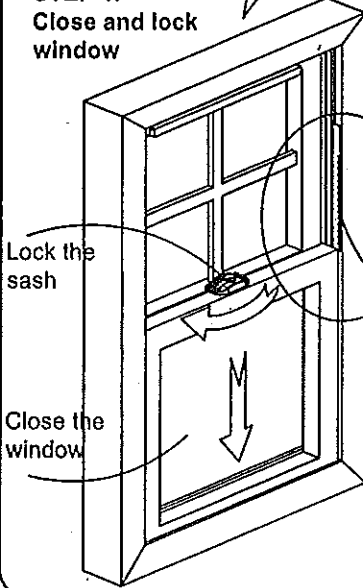
**STEP 2.**  
Measure 3.75" up from top of bottom sash and mark hole locations



**STEP 3.**  
Drill holes on marked centers



**STEP 1.**  
Close and lock window



Tape measure

Screw post

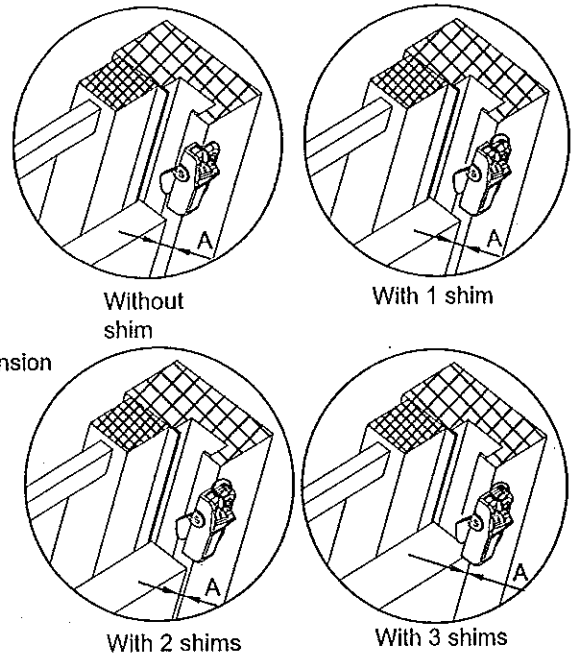
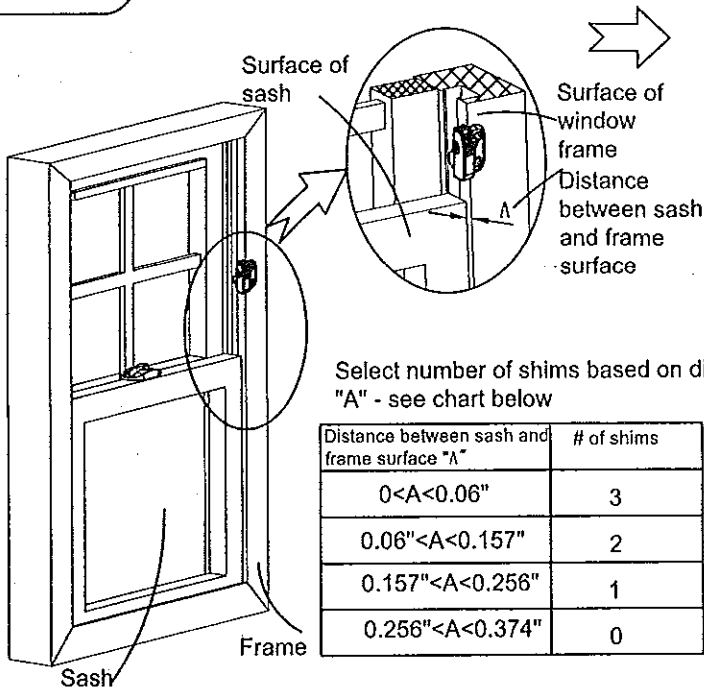
Screw

WOOD



### 3 SELECT PROPER SHIM

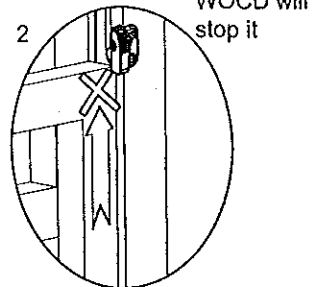
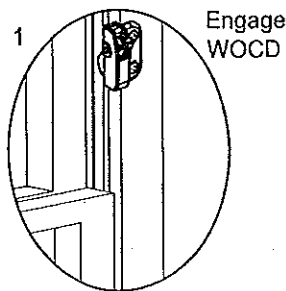
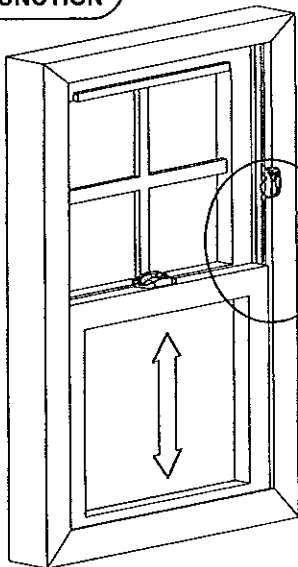
## ! WARNING



### 4 VERIFY WOCD FUNCTION

## ! WARNING

1. Verify correct opening control device operation. Clear opening must be less than 4".
2. WOCD is not a security device that provides intrusion protection.



Opening must be less than 4"

LESS THAN 4"

