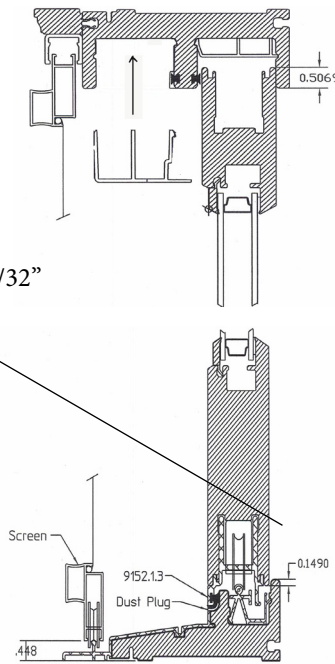


### 3 Install Operating Panel

- Install moving panel into the frame making sure the rollers are on the bottom and glazing bead is to the exterior.
- Adjust the rollers until the sash reveal is equal and aligned with the fixed panel. **DO NOT USE DRILL** to adjust rollers.
- Following roller adjustment, snap head cover into the fixed panel pocket of the header. It should fit snugly.

- Sash panel penetration should not be more than  $5/32''$  (0.16")



### 4 Install Hardware Kit

- Install handles into the operating panel (see instructions sheet supplied with hardware kit).

### 5 Keeper Installation

#### Two Point Lock:

- Place keeper on sash over locking mechanism and activate lock to lock keeper to sash and push keeper down so it is hanging on top hook.
- Measure from the top of the roller track to the bottom of the keeper and add  $1/8''$ . Note this measurement to transfer to keeper jamb.
- In the keeper jamb using your noted measurement, measure from the top of the roller track and mark bottom of keeper. Mark a center line in jamb where keeper is to be placed, align bottom of keeper with bottom mark and center line and drill  $1/8''$  holes through the jamb and into sub jamb using the center of the installation holes as your guide.
- Assure jamb is properly shimmed directly behind installation holes and install keeper with  $3''$  supplied screws. Adjust keeper as necessary.

#### Optional Three Point Lock:

Place keeper on sash over locking mechanism making sure all three hook openings align and activate to lock keeper to sash.

- Measure from the top of the roller track to the bottom of the keeper and note this measurement to transfer to keeper jamb.
- In the keeper jamb using your noted measurement, measure from the top of the roller track and mark bottom of keeper. Mark a center line in jamb where keeper is to be placed and mark center line of keeper on both its ends. Align bottom of keeper with bottom mark and center line aligning keeper center with jamb center and drill  $1/8''$  holes through the jamb and into sub jamb using the center of the installation holes as your guide.
- Assure jamb is properly shimmed directly behind installation hole and Install keeper with  $2\ 1/2''$  supplied screws. Adjust keeper as necessary.

### 6 Screen

- Install the screen by placing the top in the top channel and placing the bottom in the roller channel. It may be necessary to push roller up onto roller track with screwdriver or putty knife.
- Adjust bottom rollers until screen is even at top and bottom and square with jambs.
- Adjust top rollers applying downward pressure to assure screen rolls properly.
- Align and install keepers per instructions supplied with screen.

### 7 Final Inspection

- Inspect operation and use approved insulation where necessary for maximum energy efficiency.

## Maintenance

#### Precautions:

- Protect door from direct contact with any brick washes.
- Be careful, metal razor blades can damage the glass or other surfaces.
- Do not use abrasive cleaners on vinyl or glass surfaces, they will scratch the surface.

#### Cleaning:

- Clean glass with a liquid glass cleaner and a soft towel.
- Denatured alcohol can be used to clean pine finish. Mild detergent and soap and water can be used for the Super Cap® finish.

To request additional information call  
800-338-9997.



Window & Door Company

3000 North Township Blvd • Pittston, PA 18640

800-338-9997 Toll Free • 570-655-2811 Local

570-655-3242 Fax

www.interstatewindowsanddoors.com

# Installation Instructions for Model 9400 Architectural New Construction/ Replacement Sliding Patio Door



The installation of the 9400 Composite Wood Architectural patio door is a two person installation. The following details are based on the Installation Masters guidelines Manual details of ASTM E2112 as a field reference to back up the following guidelines

Interstate is not responsible for the reinstallation of doors due to incorrect size, options or damage, inspect all doors before removing old ones.

### In the Box:

- 12 - 3" installation screws
- Screw Pack with twelve (12) Plug Buttons
- Standard 2-point Sentry hardware by Truth; optional 3-point Sentry hardware available.

### What's Needed:

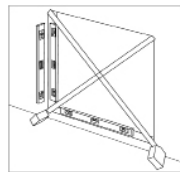
- Utility Knife
- Caulking Gun & Caulk
- Drill/Screw Gun
- Small Flat Pry Bar
- Flat Shims
- Level or Straight Edge
- Straight Screwdriver with 3/16" blade
- Phillips Screwdriver
- Hammer
- Rubber Mallet

## 1 Inspect Rough Opening

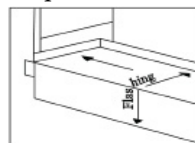
• Check rough opening width and height, it must be 1/2" larger than door frame dimensions.

• Ensure that rough opening is plumb and level.

• Check squareness of rough opening by measuring diagonally. Dimensions must be within 1/8" of each other. Shimming may be required.



• Sill pan flashing is recommended and may be necessary.

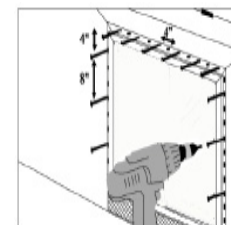


• Confirm that the existing sill is flat, level and structurally sound. If leveling is necessary it will require shims no more that 6" apart.

through jambs and head, through the shims and secure with 3" screws (supplied). It is important to insure frame is pulled into the opening pushing the nailfin into its locked and flat position. In any areas where fasteners are not concealed by jamb liners, plug buttons can be used to conceal screws. Drill the pilot hole with a 3/8" drill bit, approximately 3/16" deep to allow screw head and plug button to seat properly.

• Finishing the nail fin, apply sealant over every nail hole and apply minimum 1 1/2" fastener (screw or nail) in every nail hole.

• Apply nail fin gasket to complete door frame installation. (Refer to Nail Fin Gasket Application Instructions)



## 2b Install Door Frame

## 2a Install Door Frame

### New Construction - Nailfin Application

**Remove all jamb liners from new door in preparation to apply installation screws. Use plug buttons where necessary.**

- Check the door height to assure that the frame has not been disturbed during shipping and handling.
- Prepare the opening with two 3/8" beads of caulk across the sill and 6" up each jamb.
- Leave two 1" gaps in exterior sill pan sealant to assure the installation weeps properly.
- Run a 3/8" bead of caulk along the interior side of the nailing fin directly over nail holes.
- Carefully place frame into wall opening. Tack door into opening by screwing through flange 3/4 of the way up on both sides of jamb.
- From the interior place opposing shims, 4 evenly spaced on each jamb and head, until the frame is level, square and plumb. Drill 5/32" pilot hole

### Replacement Installation

**Remove all jamb liners to hide fasteners. Use plug buttons where necessary.**

- Check the door height to assure that the frame has not been disturbed during shipping and handling.
- Prepare the opening with two 3/8" beads of caulk across the sill and 6" up each jamb.
- Leave two 1" gaps in exterior sill pan sealant to assure the installation weeps properly.
- Carefully place frame into wall opening.
- From the interior place opposing shims, 4 evenly spaced on each jamb and head, until the frame is level, square and plumb. Drill 5/32" pilot hole through jambs and head, through the shims and secure with 3" screws (supplied).
- Apply weather resistant exterior barrier after door is installed and refer to Installation Masters guidelines Manual details of ASTM E2112 , Block Frame Door Installation, Chapter 20.